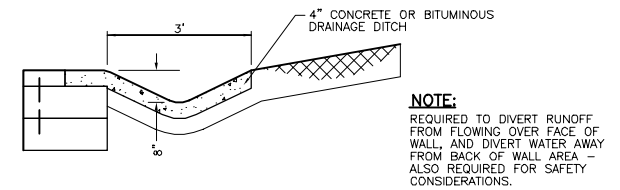
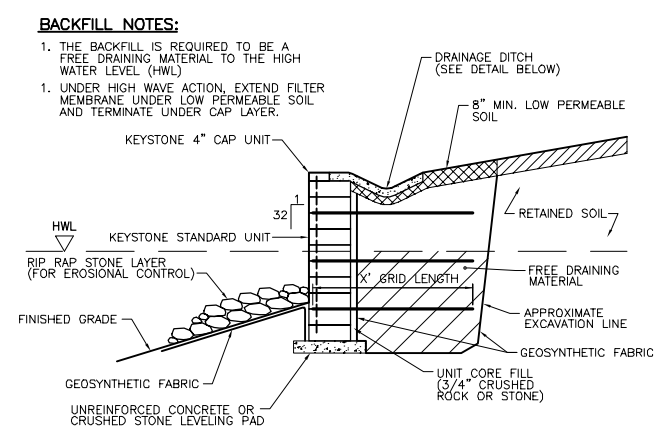
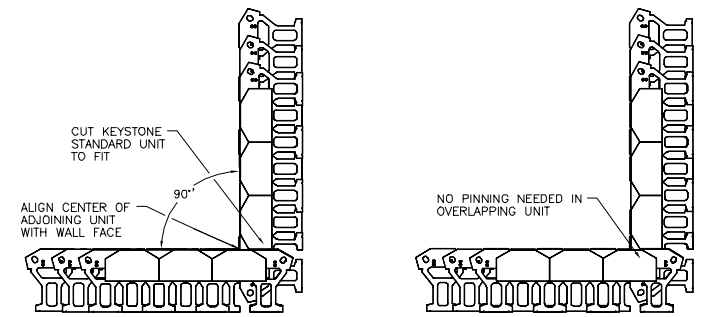
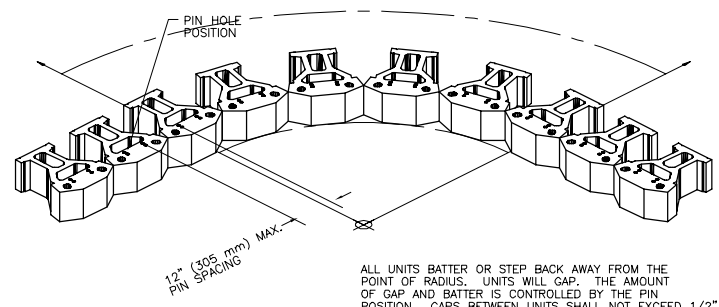
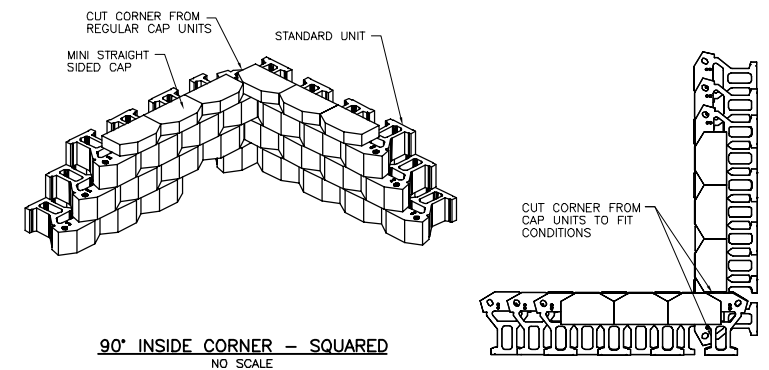
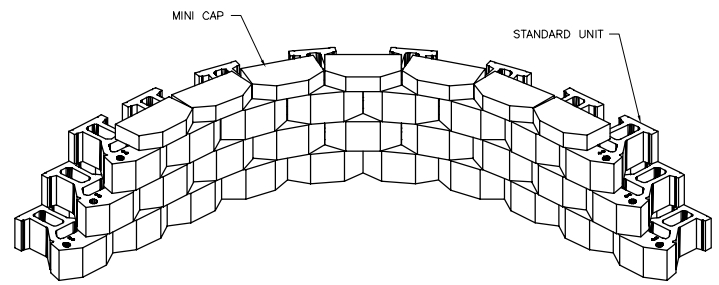
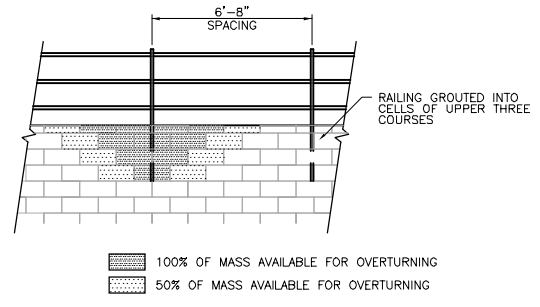
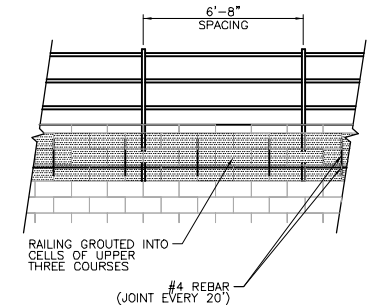
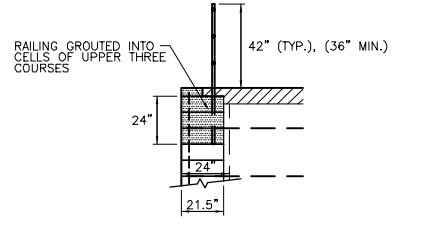
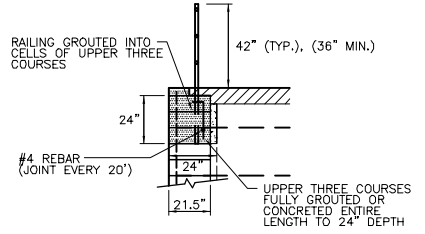


STANDARD UNIT
NO SCALE



DRAINAGE DITCH DETAIL
STANDARD UNIT - NEAR VERTICAL SETBACK
NO SCALE



Rick Magnuson, Keystone Retaining Wall Systems 8/25/00 9:23 AM Key-Cont.dwg

COPYRIGHT (c) 2000 by Keystone Retaining Wall Systems, Inc.

DESIGN IS FOR INTERNAL STABILITY OF THE KEYSTONE WALL STRUCTURE ONLY. EXTERNAL STABILITY, INCLUDING BUT NOT LIMITED TO FOUNDATION AND SLOPE STABILITY, IS THE RESPONSIBILITY OF THE OWNER. THE DESIGN IS BASED ON THE ASSUMPTION THAT THE MATERIAL WITHIN THE RETAINED MASS, METHODS OF CONSTRUCTION, AND QUALITY OF MATERIALS CONFORM TO KEYSTONE'S SPECIFICATIONS FOR THIS PROJECT.

THIS DRAWING IS BEING FURNISHED FOR THIS SPECIFIC PROJECT ONLY. ANY PARTY ACCEPTING THIS DOCUMENT DOES SO IN CONFIDENCE AND AGREES THAT IT SHALL NOT BE DUPLICATED IN WHOLE OR IN PART, NOR DISCLOSED TO OTHERS WITHOUT THE CONSENT OF KEYSTONE RETAINING WALL SYSTEMS, INC.

No.	Date	Revision	By

KEYSTONE
RETAINING WALL SYSTEMS
4444 West 78th Street
Minneapolis, MN 55435
(612) 897-1040

Designed By:
RKM
Checked By:
CDM
Date:
08/08/00

Client:
CONTECH CONSTRUCTION PRODUCTS INC.
Scale:
AS NOTED

Title:
KEYSTONE WALL DETAILS
Project No:
Drawing No:
4